

PROTON IP 7 QA

**OUTDOOR RGBA LED PROFESSIONAL
WASHER WITH WIRELESS DMX**



USER MANUAL / MANUAL DE USUARIO

PLEASE READ THE INSTRUCTIONS CAREFULLY BEFORE USE
POR FAVOR LEA LAS INSTRUCCIONES ANTES DE USAR



1. OVERVIEW

PROTON IP 7 QA

Outdoor RGBA LED professional washer with wireless DMX

Proton IP 7 QA is a professional outdoor wash light that sports 7 10W RGBA LEDs and a beam angle of 22°. With adjustable PWM, a function that adjusts the refresh rate to be able to work without flicker, and a built-in white balance control, the fixture is an ideal alternative for broadcasting applications. Proton IP 7 QA also has four dimmer curves, color macros, an OLED display with a friendly interface, and an IP65 degree of protection.

Source & Optics

- Light Source: 7 4-in-1 RGBA 10W LEDs
- LEDs life: 50,000 hours
- Beam angle: 22°
- Field angle: 36°

Photometric data

- Luminous flux: 650 Lux @ 5M (16 ft.)

Effects & Functions

- Quad-color LED technology: Smooth RGBA mix with no multi-colored shadows
- Ideal for any setting thanks to amber color incorporation
- Color macros and rainbow effect
- Dimmer: 0-100% general & for all colors
- 4 dimming curves
- Strobe effect: 0-30 Hz
- Adjustable PWM (Pulse Width Modulation) to work flicker free in any given situation
- White balance control on-board: 3000K, 4000K, 5000K, 6000K, 7000K, 8000K, 9000K & 10000K
- Heavy duty case
- Very silent operation

Control

- DMX Channels: 4/6/11
- Operational modes: DMX, Master/Slave, Auto-run and Static Colors

Physical

- IP Rating: IP65
- OLED display
- DMX connectors: 2 XLR connectors (XLR-5 input and output)
- Seetronic® PowerKon IP65 In/Out power supply connectors
- Dimensions: 240x154x286 mm. / 9.4x6x11.2 in.
- Weight: 5.5 Kg. / 12 Lbs.

2. SAFETY

Warning

Before carrying out any operations with the unit, carefully read this instruction manual and keep it with care for future reference. It contains important information about the installation, usage and maintenance of the unit.

General instruction

- The products referred to in this manual conform to the European Community Directives and are therefore marked with CE
- The unit is supplied with hazardous network voltage (230V~). Leave servicing to skilled personnel only. Never make any modifications on the unit not described in this instruction manual, otherwise you will risk an electric shock.
- Connection must be made to a power supply system fitted with efficient earthing (Class I appliance according to standard EN 60598-1). It is, moreover, recommended to protect the supply lines of the units from indirect contact and/or shorting to earth by using appropriately sized residual current devices.
- The connection to the main network of electric distribution must be carried out by a qualified electrical installer. Check that the main frequency and voltage correspond to those for which the unit is designed as given on the electrical data label.
- This unit is not for home use, only professional applications.
- Never use the fixture under the following conditions: - in places subject to vibrations or bumps; - in places with a temperature of over 40 °C.
- Make certain that no inflammable liquids, water or metal objects enter the fixture.
- Do not dismantle or modify the fixture.
- All work must always be carried out by qualified technical personnel. Contact the nearest sales

point for an inspection or contact the manufacturer directly.

- If the unit is to be put out of operation definitively, take it to a local recycling plant for a disposal which is not harmful to the environment.

Warnings and installation precautions

- If this device will be operated in any way different to the one described in this manual, it may suffer damage and the guarantee becomes void. Furthermore, any other operation may lead to dangers like short circuit, burns, electric shock, etc.
- Before starting any maintenance work or cleaning the projector, cut off power from main supply.
- Always additionally secure the projector with the safety rope. When carrying out any work, always comply scrupulously with all the regulations (particularly regarding safety) currently in force in the country in which the fixture's being used.
- Install the fixture in a well ventilated place.
- Keep any inflammable material at a safe distance from the fixture.
- Shields, lenses or ultraviolet screens shall be changed if they have become damaged to such an extent that their effectiveness is impaired.
- The lamp (LED) shall be changed if it has become damaged or thermally deformed.
- Never look directly at the light beam. Please note that fast changes in lighting, e.g. flashing light, may trigger epileptic seizures in photosensitive persons or persons with epilepsy.
- Do not touch the product's housing when operating because it may be very hot.

3. MAINTENANCE

Maintenance and Cleaning the Unit

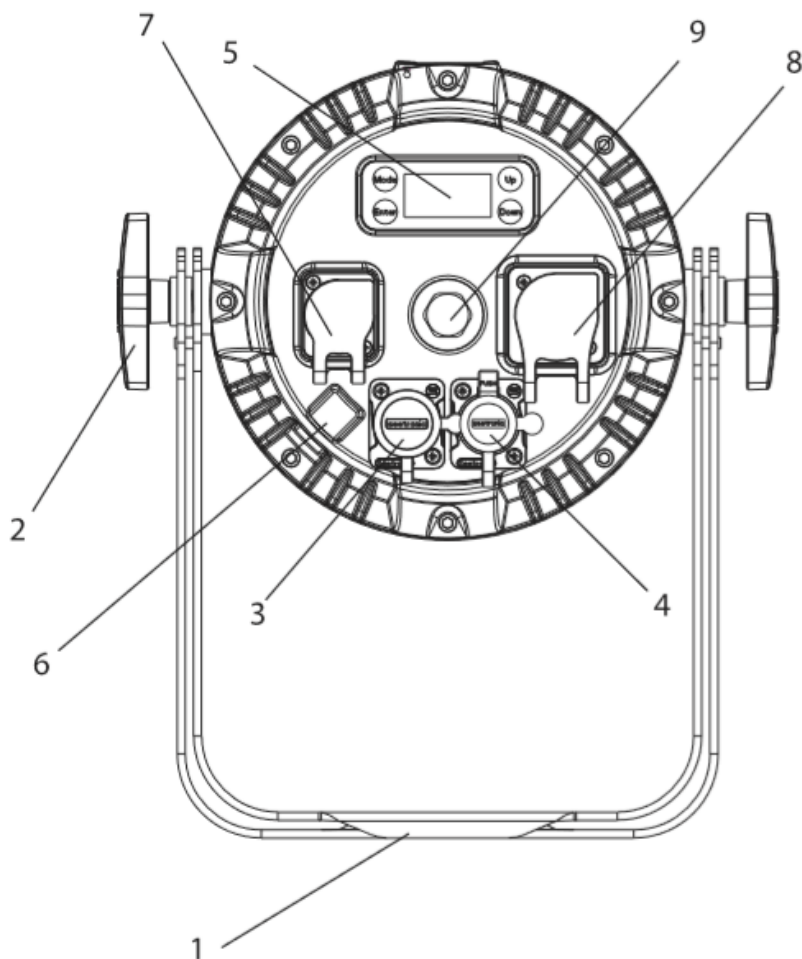
- Make sure the area below the installation place is free from unwanted persons during setup.
- Switch off the unit, unplug the main cable and wait until the unit has cooled down.
- All screws used for installing the device and any of its parts should be tightly fastened and should not be corroded.
- Housings, fixations and installation spots (ceiling, trusses, suspensions) should be totally free from any deformation.
- The main cables must be in impeccable condition and should be replaced immediately even when a small problem is detected.
- It is recommended to clean the front at regular intervals, from impurities caused by dust, smoke, or other particles to ensure that the light is radiated at maximum brightness. For cleaning, disconnect the main plug from the socket. Use a soft, clean cloth moistened with a mild detergent. Then carefully wipe the part dry. For cleaning other housing parts use only a soft, clean cloth. Never use a liquid, it might penetrate the unit and cause damage to it.

4. TROUBLESHOOTING

Problems	Possible causes	Checks and remedies
Fixture does not light up	<ul style="list-style-type: none">• No mains supply• Dimmer fader set to 0• All color faders set to 0• Faulty LED• Faulty LED board	<ul style="list-style-type: none">• Check the power supply voltage• Increase the value of the dimmer channels• Increase the value of the color channels• Replace the LED board• Replace the LED board
General low light intensity	<ul style="list-style-type: none">• Dirty lens assembly• Misaligned lens assembly	<ul style="list-style-type: none">• Clean the fixture regularly• Install lens assembly properly
Fixture does not power up	<ul style="list-style-type: none">• No power• Loose or damaged power cord• Faulty internal power supply	<ul style="list-style-type: none">• Check for power on power outlet• Check power cord• Replace internal power supply
Fixture does not respond to DMX	<ul style="list-style-type: none">• Wrong DMX addressing• Damaged DMX cables• Bouncing signals	<ul style="list-style-type: none">• Check control panel and unit addressing• Check DMX cables• Install terminator as suggested

In case of technical issues that cannot be resolved following about troubleshooting tips, contact your authorized dealer for service.

5. OPERATING ELEMENTS AND CONNECTIONS



1. MOUNTING BRACKET
2. LOCKING KNOB for the mounting bracket.
3. DMX IN (5-pin IP65 XLR) 1: ground, 2: DMX-, 3: DMX+, 4 N/C, 5 N/C.
4. DMX OUT (5-pin IP65 XLR) 1: ground, 2 DMX-, 3: DMX+, 4 N/C, 5 N/C.
5. CONTROL PANEL with display and 4 button used to access the control panel functions and manage them.
6. SAFETY ANCHOR POINT to attach safety cable.
7. POWER IN (IP65 PowerKon) for connection to a socket (100-240V~/50-60Hz) via the supplied mains cable.
8. POWER OUT (IP65 PowerKno) connect to supply power to the next unit.
9. GORE VALVE (to prevent condensation).

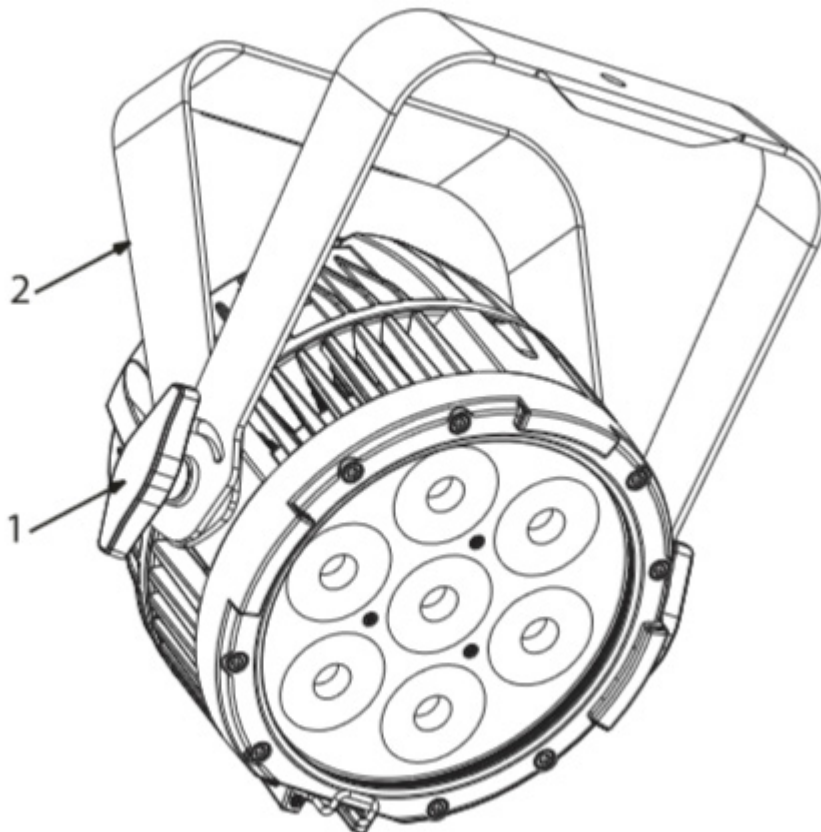
6. INSTALLATION

Mounting

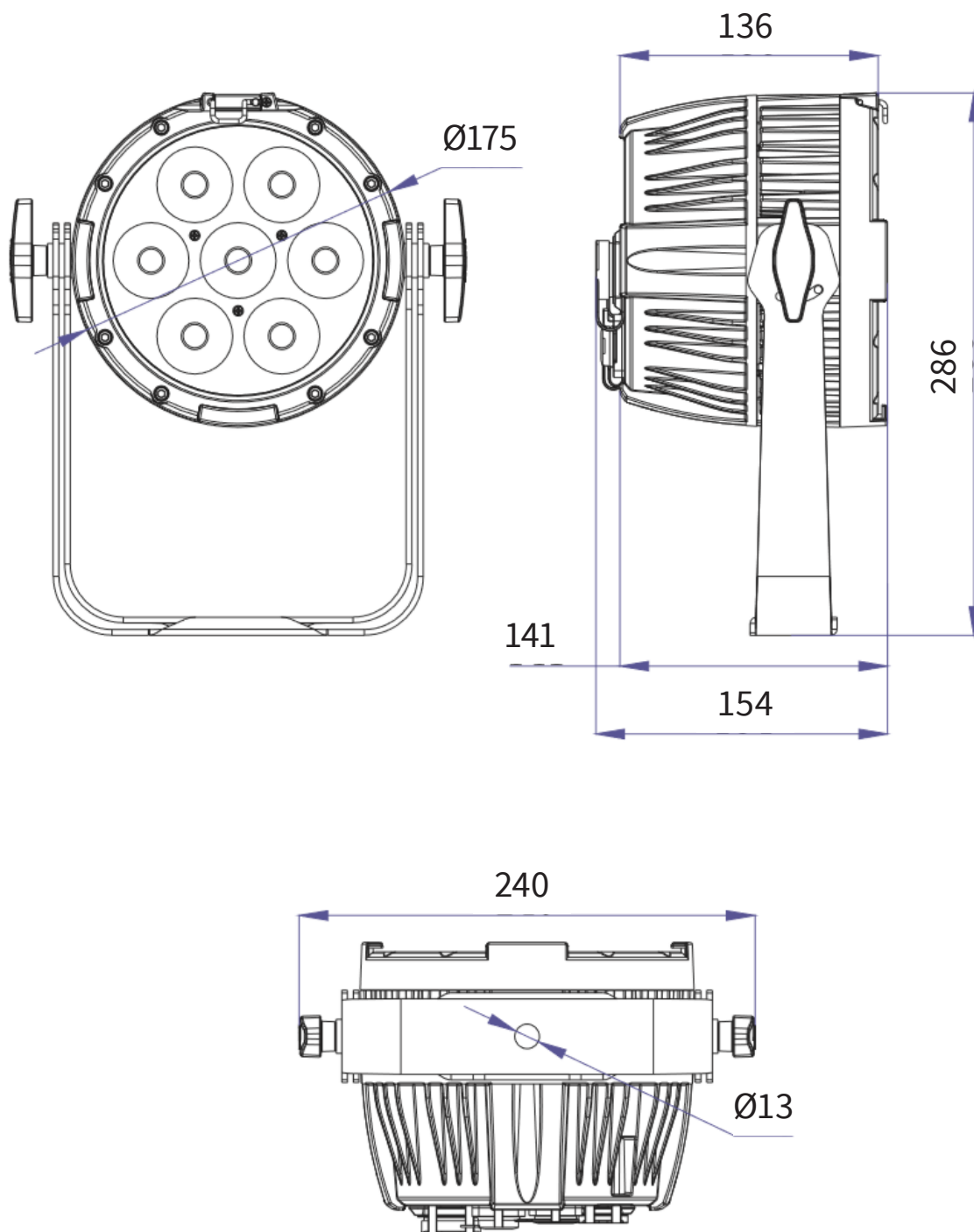
Proton IP 7 QA may be set up on a solid and even surface. The unit can also be mounted upside down to a cross arm. For fixing, stable mounting clips are required. The mounting place must be of sufficient stability and be able to support a weight of 10 times of the unit's weight.

When carrying out any installation, always comply scrupulously with all the regulations (particularly regarding safety) currently in force in the country in which the fixture's being used.

- Install the projector at a suitable location by means of the mounting bracket (2).
- Always additionally secure the projector with the safety rope from falling down. For this purpose, fasten the safety rope at a suitable position so that the maximum fall of the projector will be 20cm.
- Adjust the projector and use the knob to slightly release or tighten the locking mechanism of the bracket if necessary (1).



Dimensions



7. FUNCTIONS AND SETTINGS

Operation

Connect the supplied main cable to a socket (100-240V~/50-60Hz). Then the unit is ready for operation and can be operated via a DMX controller or it independently performs its show program in succession. To switch off, disconnect the mains plug from the socket. For a more convenient operation it is recommended to connect the unit to a socket which can be switched on and off via a light switch.

Basic

Access control panel functions using the four panel buttons located directly underneath the black OLED display.



Menu	Up	Down	Enter
Used to access the menu or return a previous menu option.	Navigates downwards through the menu list and increases the numeric value when in a function.	Navigates upwards through the menu list and decreases the numeric value when in a function.	Used to select a store the current menu or confirm the current function value or option within a menu.

Menu Structure

DMX Address	<001>		Default: 001	
DMX Channel	4Ch		Default: 11Ch	
	6Ch			
	11Ch			
Static	Fixed Color	R	RA	Default: RGBA
		G	GA	
		B	BA	
		W	RGA	
		GB	RBA	
		RB	GBA	
		RG	RGBA	
		RGB		
	Color Temperature	3000K		Default: 3000K
		4000K		
		5000K		
		6000K		
		7000K		
		8000K		
		9000K		
10000K				
Manual Color Mixer	Red	<0-255>	Default: RGBA: 255	
	Green	<0-255>		
	Blue	<0-255>		
	White	<0-255>		
Auto Show	Auto 1	<1-100>	Default: Auto 1; Speed: 100	
	Auto 2	<1-100>		
	Auto 3	<1-100>		
	Auto 4	<1-100>		
	Auto 5	<1-100>		
Master/Slave	Master		Default: Slave	
	Slave			
Dimmer Mode	Off		Default: Off	
	Dimmer 1			
	Dimmer 2			
	Dimmer 3			

White Balance	Off			Default: Off
	Manual	Red	<125-255>	
		Green	<125-255>	
		Blue	<125-255>	
		Amber	<125-255>	
LED Frequency	600Hz			Default 1200Hz
	1200Hz			
	2000Hz			
	4000Hz			
	6000Hz			
	25kHz			

Menu Structure (cont'd)

Wireless Setting	Receive On/Off	On	Default: Off
		Off	
	Receive Reset	No	Default: No
Yes			
Back Light	On		Default: On
	10S		
	20S		
	30S		
Key Lock	On	Password: Up Down Up Down Enter	Default: On
	Off		
Information	Fixture Hours	<9999H>	
	Version	<V1.0>	
Reset Factory	No		Default: No
	Yes		

W-DMX WIRELESS SETTING

The Proton IP 7 QA features an onboard W-DMX receiver. By default, W-DMX is OFF. To activate:

- Press the MENU button until the display shows Wireless Setting, Then press ENTER.
- Press the UP/DOWN buttons to select Receive On, then press ENTER.
- To reset the onboard W.DMX receiver, select Receive Reset, then press ENTER.

AUTO SHOW

If no DMX control signal is present at the DMX INPUT, the unit independently runs through its show programme provided that the blackout mode is switched off:

- Press the button MENU so many times until the display shows Auto Show, then press the button ENTER.
- Press the button UP/DOWN to switch between the show (Auto 1-5). The unit will operate in show mode.

- Using the button UP/DOWN to select the desired run speed slow-fast (1-100).
- Press the button ENTER to save the setting.

IMPORTANT: Programs Auto 1-5 are fully pre-programmed and will not be altered by changes. Instead, Manual Color mode allows to combine the colors Red-Green-Blue-Amber.

- Press the button MENU so many times until the display shows Static, then press the button ENTER.
- Through the button UP/DOWN select Manual Color, then press the button ENTER.
- Select the color Red-Green-Blue-White through the buttons UP/DOWN.
- Press the button ENTER to confirm.
- Set the value (000-255), through the buttons UP/DOWN.
- Press the MENU button to go back or to meet the waiting time to exit the setup menu.

STATIC MODE

This fixture has the ability to accept custom static color settings. Access these chases via the control panel on the back of the fixture.

- To enable the static mode, press MENU repeatedly until Static shows on the display.
- Press the button ENTER.
- Through the button UP/DOWN select Fixture Color, then press the button ENTER.
- Select the desired preset color (R-G-B-A-GB-RB-RG-RGB-RA-GA-BA-RGA-RBA-GBA-RGBA) using the button UP/DOWN.
- Press the button ENTER to save the setting.
- Press the MENU button to go back. Or, after a few seconds, the manu returns to the main screen.

MASTER/SLAVE MODE

This mode will allow you to link up the units together without a controller. Choose a unit to function as the Master. The unit must be the fist unit in line; other units will work as slave with the same effect.

- Press the button MENU so many times until

the display shows Master/Slave and press the button ENTER.

- Press UP/DOWN to set the unit as master or slave (Master/Slave).
- Select the desired program.
- Use Standard DMX cables to daisy chain your units together via the DMX connector on the rear of the units. For longer cable runs we suggest a terminator at the last fixture.

LINKING

Several units may be interconnected in order to control all further slave units to the same effect of the master unit.

1. Connect the DMX OUT of the master unit via 5-pin XLR cable to the DMX IN of the first slave unit.
2. Connect the DMX OUT of the first slave unit to the DMX IN of the second slave unit, etc. until all units are connected in a chain.

DMX CONFIGURATION

Proton IP 7 QA is equipped with different DMX configuration.

- Press the button MENU so many times until shows DMX channel, and press the button ENTER to confirm.
- Select the desired DMX configuration (4ch, 6ch, 11ch) through the buttons UP/DOWN.

The DMX tables indicate the operating mode and DMX value. The Proton IP 7 QA is equipped with 5-pin XLR connections.

DMX ADDRESSING

- Press the button MENU so many times until the display shows DMX address, and press the button ENTER to confirm.
- Press UP/DOWN button to select the desired value (011-509). Press and hold to scroll quickly.
- Press ENTER button to store.
- Press the MENU button to go back or to meet the waiting time to exit the setup menu.

To operate the Proton IP 7 QA with a light controller, adjust the DMX start address for the first a DMX

channel. If e.g. address 33 on the controller is provided for controlling the function of the first DMX channel, adjust the start address 33 on the Proton IP 7 QA. The other functions of the light effect panel are then automatically assigned to the following addresses. An example with the started address 33 is shown below:

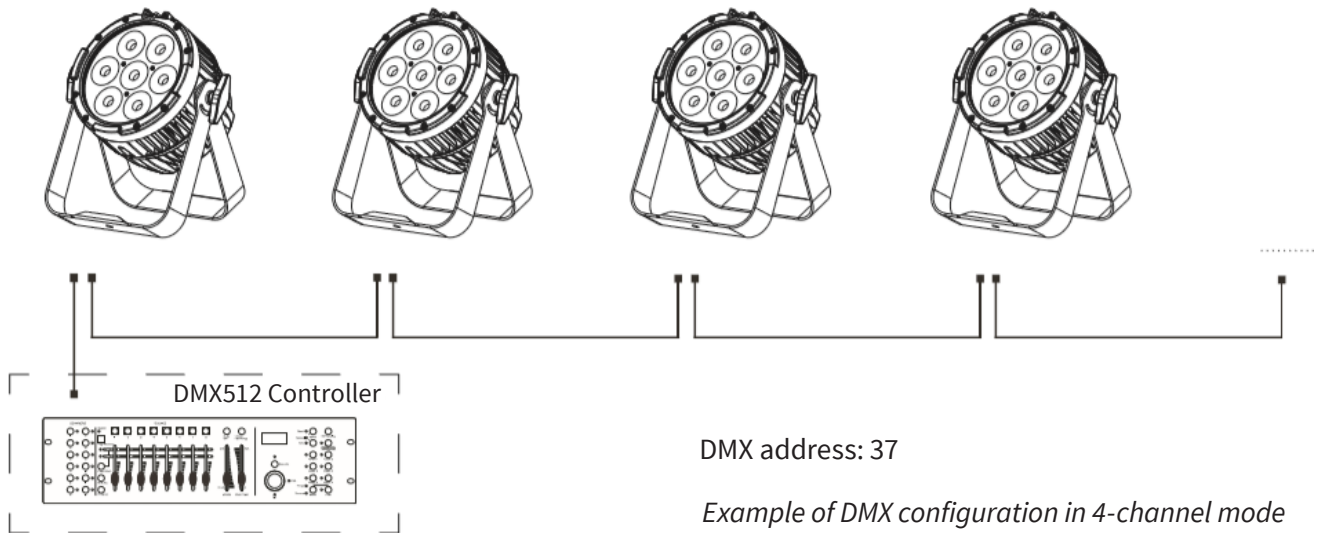
Number of DMX channels	Start address (example)	DMX Address occupied	Next possible start address for unit No.1	Next possible start address for unit No.2	Next possible start address for unit No.3
4	33	33-36	37	41	45
6	33	33-38	39	45	51
11	33	33-43	44	55	66

DMX address: 33

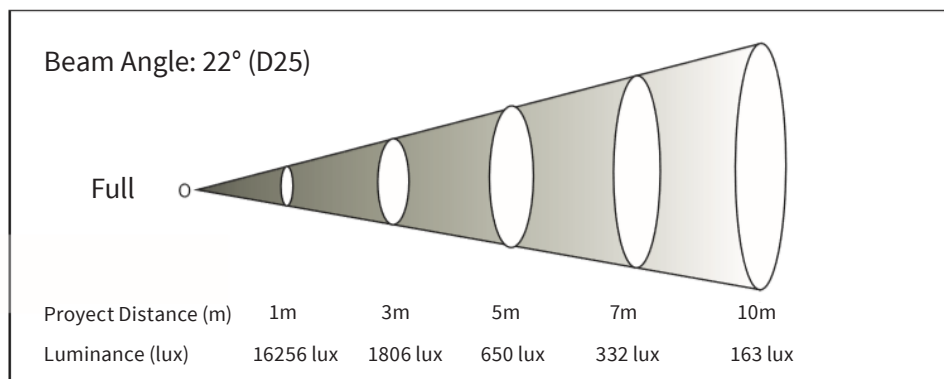
DMX address: 37

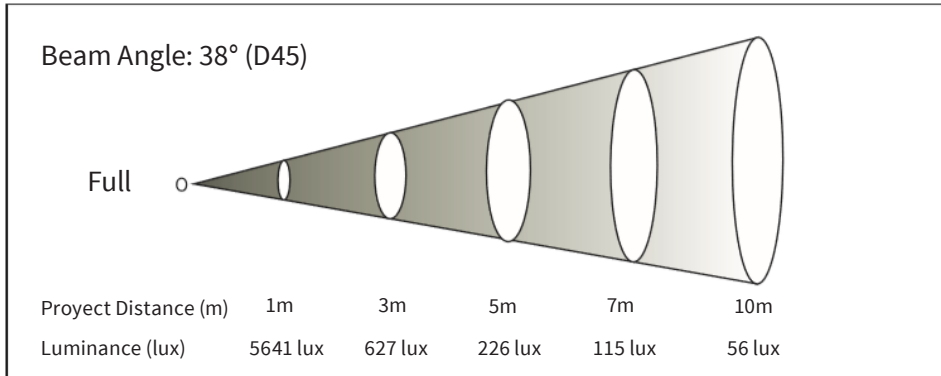
DMX address: 41

DMX address: 45



Photometrics





Connection of the DMX line

DMX connection employs standard XLR connectors. Use shielded pair-twisted cables with 120Ω impedance and low capacity. The following diagram shows the connection mode:

DMX-INPUT
XLR plug



Pin1: GND - Shield
Pin2: Negative
Pin3: Positive
Pin4: N/C
Pin5: N/C

DMX-OUTPUT
XLR socket



ATTENTION

The screened parts of the cable (sleeve) must never be connected to the system's earth, as this would cause faulty fixture and controller operation.

Over long runs can be necessary to insert a DMX level matching amplifier.

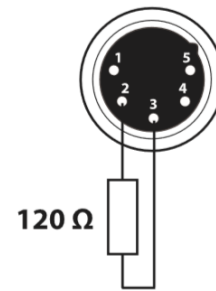
For those connections the use of balanced microphone cable is not recommended because it cannot transmit control DMX data reliably.

- Connect the controller DMX input to the DMX output of the first unit.
- Connect the DMX output to the DMX input to the following unit. Connect again the output to the input of the following unit until all the units are connected in chain.
- When the signal cable has to run longer distance is recommended to insert a DMX termination on the last unit.

Construction of the DMX termination

The termination avoids the risk of DMX 512 signals being reflected back along the cable when they reach the end of the line: under certain conditions and with certain cable lengths, this could cause them to cancel the original signals.

The termination is prepared by soldering a 120Ω 1/4W resistor between pins 2 and 3 of the 5-pin male XLR connector, as shown in figure.



DMX Control

Mode 11 Ch	Function	DMX Value
1	Dimmer 0~100%	000-255
2	Red 0~100%	000-255
3	Green 0~100%	000-255
4	Blue 0~100%	000-255
5	Amber 0~100%	000-255
6	Strobe	
	No function Slow to fast	000-010 011-255
7	Color macro + Amber Balance	
	No function	000-010
	R:100% / G:0~100% / B:0	011-030
	R:100%~0 / G:100% / B:0	031-050
	R:0 / G:100% / B:0~100%	051-070
	R:0 / G:100%~0 / B:100%	071-090
	R:0~100% / G:0 / B:100%	091-110
	R:100% / G:0 / B:100%~0	111-130
	R:100% / G:0~100% / B:0~100%	131-150
	R: 100%~0 / G:100%~0 / B:100%	151-170
	R: 100% / G:100% / B:100% / A:100%	171-200
	Color 1	201-205
	Color 2	206-210
	Color 3	211-215
	Color 4	216-220
Color 5	221-225	
Color 6	226-230	
Color 7	231-235	
Color 8	236-240	
Color 9	241-245	

	Color 10 Color 11	246-250 251-255
8	Color Temperature No function 3000K 4000K 5000K 6000K 7000K 8000K 9000K 10000K No function	000-005 006-039 040-069 070-099 100-129 130-159 160-189 190-219 220-250 251-255
9	Auto Programs No Function Auto Program 1 Auto Program 2 Auto Program 3 Auto Program 4 Auto Program 5	000-010 011-060 061-110 111-160 161-210 211-255
10	Auto Speed Slow to fast	000-255
11	Dimmer Speed Preset dimmer speed from display menu Dimmer speed mode off Dimmer speed mode 1 (fast speed) Dimmer speed mode 2 (middle speed) Dimmer speed moder 3 (slow speed)	000-051 052-101 102-152 153-203 204-255

Mode 6 Ch	Function	DMX Value
1	Dimmer 0~100%	000-255
2	Red 0~100%	000-255
3	Green 0~100%	000-255
4	Blue 0~100%	000-255
5	Amber 0~100%	000-255
6	Strobe No function Slow to fast	000-010 011-255

Mode 4 Ch	Function	DMX Value
1	Red 0~100%	000-255
2	Green 0~100%	000-255
3	Blue 0~100%	000-255
4	Amber 0~100%	000-255

Fixture Settings

It is possible to change the parameter values in the following ways:

DIMMER

- Enter in Dimmer mode to select specific dimming curve, press the button MENU so many times until shows Dimmer Mode, and press the button ENTER to confirm.
- Press the button UP/DOWN to select Off - Dimmer 1 - Dimmer 2 - Dimmer 3.
- Press ENTER button to store, then press MENU to return to main menu.

BACKLITE

- To activate Blacklight display press the button MENU so many times until shows Back Light, and press the button ENTER to confirm.
- Press the button UP/DOWN to select 0n - 10s - 20s - 30s.
- Press ENTER button to confirm the selection, then press MENU to return to main menu.

LED FREQUENCY

- To adjust the frequency of the LEDs, press the MENU button repeatedly until the display shows LED Frequency, and then press the ENTER button.
- Select the frequency (600Hz - 25kHz) using the UP/DOWN buttons.
- To confirm, press the ENTER key, then press MENU to return to main menu.

Fixture Information

Show the fixture working hours.

- Press the button MENU so many times until

shows Information. Press the button ENTER to confirm.

- Using the button UP/DOWN to select Fixture Hours, then press the button ENTER to confirm.
- Then the display will show the working hours. Press MENU to return to main menu.

VERSION

Show the fixture firmware version.

- Press the button MENU so many times until shows Information.
- Select through the button UP/DOWN the Version menu voice.
- The display will show firmware data. Press MENU to return to main menu.

TEMPERATURE

- To read the value of the internal temperature of the device, press the MENU button repeatedly until the display shows Temperature, and then press ENTER button to read the value.
- Press the MENU button to go back or wait a few seconds to exit the setup menu.

Amber Balance

Enter the White balance to adjust the Red, Green, and Blue levels to achieve different whites.

- Press the button MENU so many times until shows Amber Balance, and press the button ENTER to confirm.
- Select the color R, G, B, A using the UP/DOWN buttons, then press ENTER.
- Using UP/DOWN button, select the desired color value 125-255.
- Press ENTER button to continue to the next color R, G, B, A.
- Continue until the desired mix is obtained.

- Press the MENU button to go back or wait a few seconds to exit the setup menu.

Design and product specifications are subject to change without prior notice.

1. DESCRIPCIÓN

PROTON IP 7 QA

Bañador LED RGBA profesional para exteriores con DMX inalámbrico

Proton IP 7 QA es un bañador profesional para exteriores que cuenta con 7 LEDs RGBA de 10W y un ángulo de haz de 22°. Con PWM ajustable, función que ajusta la frecuencia de refresco para poder trabajar realmente sin parpadeo, y un control de balance de blanco incorporado, el equipo es una alternativa ideal para aplicaciones de broadcasting. Proton IP 7 QA tiene, además, un dimmer con cuatro curvas de dimmeo, macros de color, un display OLED con una interface amigable, y un grado de protección IP65.

Fuente & Ópticas

- Fuente de luz: 7 LEDs RGBA 4-en-1 de 10W
- Vida útil promedio: 50.000 horas
- Ángulo de haz: 22°
- Ángulo de campo: 36°

Datos fotométricos

- Flujo lumínico: 650 Lux @ 5M (16 pies)

Efectos y funciones

- Tecnología LED de cuatro colores: Mezcla RGBA suave sin sombras multicolor
- Ideal para ambientación por la incorporación del ámbar
- Macros de color y efecto arcoiris
- Dimmer: 0-100% general & para todos los colores
- 4 curvas de dimmeo
- Efecto estrobo: 0-30 Hz
- PWM ajustable: 600 / 1200 / 2000 / 4000 Hz o 25 KHz
- Control integrado de balance de blanco: 3000K, 4000K, 5000K, 6000K, 7000K, 8000K, 9000K & 10000K

- Diseño ultra-resistente y funcionamiento silencioso

Control

- Canales DMX: 4/6/11
- Modos de operación: DMX, Maestro/Esclavo, Automático & colores estáticos

Físico

- Certificación IP65
- Display OLED
- Conectores DMX: 2 conectores XLR-5 IP65 de Entrada/Salida
- Conectores de alimentación: Seetronic IP65 PowerKon IP65 de Entrada/Salida
- Dimensiones: 240x154x286 mm. / 9,4x6x11,2 pulg.
- Peso: 5,5 Kg. / 12 Lbs.

2. INSTRUCCIONES DE SEGURIDAD

Advertencia

Lea atentamente el manual antes de utilizar el equipo y procure seguir las instrucciones. Consérvelo para futuras referencias ya que contiene información importante sobre el uso, la instalación y el mantenimiento del equipo.

Instrucciones Generales

- Este equipo cumple con las Directivas de la Comunidad Europea y, por lo tanto, cuenta con certificación CE.
- El equipo funciona con un voltaje de entrada de 230V~. Para su instalación, póngase en contacto con un profesional calificado. Para evitar el riesgo de shock eléctrico, no introduzca modificaciones no autorizadas en el equipo.
- El equipo requiere de un sistema de suministro eléctrico con puesta a tierra (equipo clase I, norma IEC 60598-1). A su vez, se recomienda proteger los cables de alimentación de los contactos indirectos y cortocircuitos mediante el uso de interruptores diferenciales del tamaño adecuado.
- La instalación eléctrica debe realizarla un electricista certificado. Procure que el voltaje y la frecuencia coincidan con los requeridos por la unidad.
- La unidad está diseñada para uso profesional. No es de uso residencial.
- Procure no utilizar el equipo bajo las siguientes condiciones: -En lugares proclives a vibraciones y sacudidas. - En lugares con temperatura superior a 40°C.
- Evite que líquidos inflamables, objetos de metal o agua entren en contacto con el equipo.
- No desarme o modifique el equipo.
- El mantenimiento o reparación del equipo deben ser realizados por personal calificado. Pónganse en contacto con el servicio técnico autorizado más cercano o directamente con su proveedor.

- Con el fin de respetar el medio ambiente, procure desechar la unidad en la planta de reciclado más cercana.

Instalación: Advertencias y precauciones

- La garantía no cubre daños provocados por el uso inapropiado del equipo. El uso inadecuado del equipo puede ocasionar quemaduras, cortocircuitos, shock eléctrico, etc.
- Desconecte el equipo del suministro eléctrico antes de realizar cualquier tarea de limpieza o mantenimiento.
- Procure utilizar un cable de seguridad para afirmar la instalación. Al utilizar la unidad, cumpla en todo momento con las regulaciones (especialmente de seguridad) actualmente vigentes en su país.
- Instale el equipo en una zona con ventilación.
- Mantenga cualquier tipo de material inflamable lejos de la unidad.
- Reemplace la cubierta, los lentes o la luz ultravioleta si se dañan y comprometen el óptimo funcionamiento del equipo.
- Reemplace la lámpara de LED si se daña o sufre deformación por el calor.
- No mire de forma directa hacia la fuente de luz cuando el equipo esté encendido. La luz puede generar convulsiones en las personas fotosensitivas o con epilepsia.
- No toque el equipo durante su funcionamiento ya que su temperatura puede ser muy elevada.

3. LIMPIEZA Y MANTENIMIENTO

Lineamientos generales

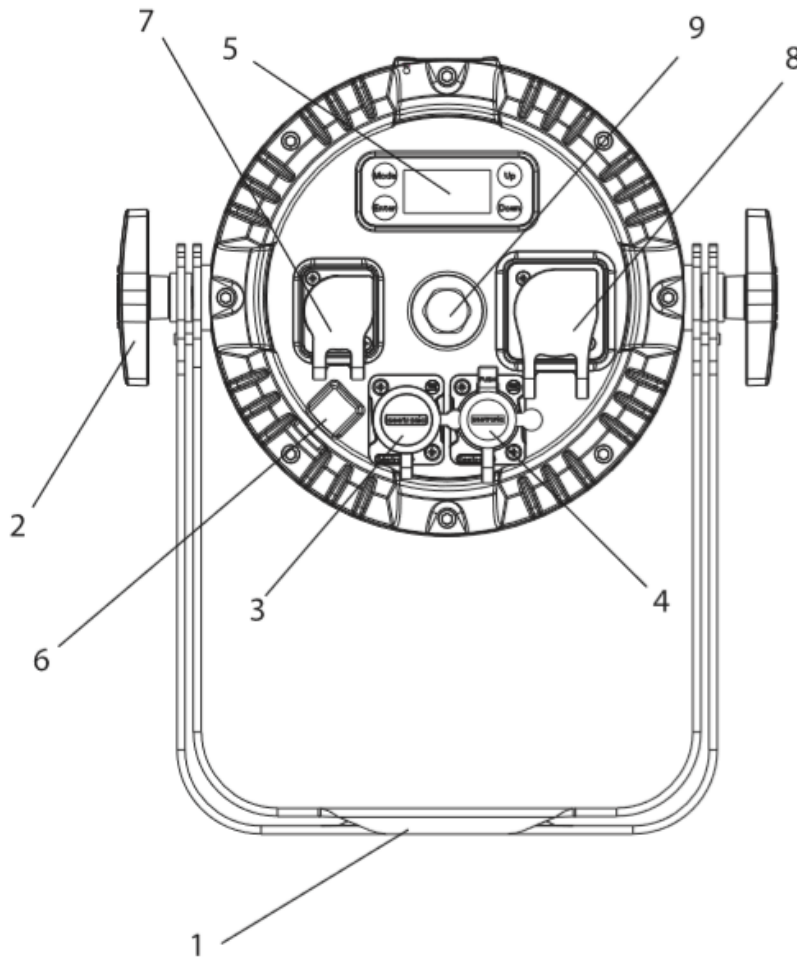
- Asegúrese de que no haya personas ajenas a la instalación al momento de fijar el equipo.
- Apague el equipo, desconéctelo de la corriente eléctrica y aguarde a que se enfríe antes de realizar cualquier tarea de mantenimiento.
- Ajuste bien todos los tornillos que se utilicen para la instalación del equipo y procure que no muestren signos de corrosión.
- La cubierta, las herramientas de fijación y los puntos de instalación (cielos rasos, suspensiones y sistemas de truss) deben estar libres de deformaciones.
- Conserve los cables principales en buenas condiciones. Reemplácelos de forma inmediata si detecta algún problema.
- Para garantizar el óptimo desempeño del equipo, es indispensable limpiar el frente con frecuencia para remover impurezas causadas por el exceso de humo, polvo u otras partículas. Antes de limpiarlo, desconecte el equipo de la corriente eléctrica. Utilice un paño suave humedecido con un detergente suave. Luego seque el frente con cuidado. Para otras partes del equipo solo emplee un paño suave y limpio. No utilice ningún tipo de líquidos ya que podrían filtrarse en el equipo y causar daños severos.

4. RESOLUCIÓN DE PROBLEMAS

Problema	Posible causa	Resolución
El equipo no ilumina	<ul style="list-style-type: none">• Falta de suministro eléctrico• Dimmer con valor 0• Colores con valor 0• Lámpara LED agotada• Tablero LED defectuoso	<ul style="list-style-type: none">• Verifique el voltaje del suministro eléctrico• Aumente el valor de los canales de dimmer• Aumente el valor de los canales de color• Sustituya la lámpara• Sustituya el tablero
Poca intensidad de luz	<ul style="list-style-type: none">• Lentes sucios• Lentes mal alineados	<ul style="list-style-type: none">• Limpie los lentes del equipo• Reinstale los lentes
El equipo no se enciende	<ul style="list-style-type: none">• Falta de suministro eléctrico• Cable suelto o defectuoso• Suministro eléctrico defectuoso	<ul style="list-style-type: none">• Corrobore la presencia de corriente en las tomas• Verifique el estado del cable• Verifique la instalación eléctrica
El equipo no responde al controlador DMX	<ul style="list-style-type: none">• Dirección DMX errónea• Cables DMX defectuoso• Rebote de señal	<ul style="list-style-type: none">• Modifique la dirección DMX en el panel de control• Sustituya el cable DMX• Instale un terminador

En caso de que los problemas persistan o de que se presente un problema no listado, póngase en contacto con el servicio técnico autorizado más cercano.

5. DESCRIPCIÓN DEL EQUIPO: CONEXIONES



1. ABRAZADERA DE MONTAJE
2. PERILLA DE FIJACIÓN para la abrazadera.
3. ENTRADA DMX (XLR-5 IP65) 1: Tierra, 2: DMX -, 3: DMX +, 4: Sin función, 5: Sin función.
4. SALIDA DMX (XLR-5 IP65) 1: Tierra, 2: DMX -, 3: DMX +, 4: Sin función, 5: Sin función.
5. PANEL DE CONTROL con pantalla y cuatro botones que brindan acceso a las funciones disponibles.
6. ORIFICIO PARA EL CABLE DE SEGURIDAD
7. ENTRADA DE POTENCIA: Conector PowerKon IP65 (100-240 V, 50/60 Hz).
8. SALIDA DE POTENCIA: Conector PowerCon IP65 para enlazar la próxima unidad de una cadena.
9. VÁLVULA GORE® para prevenir la condensación.

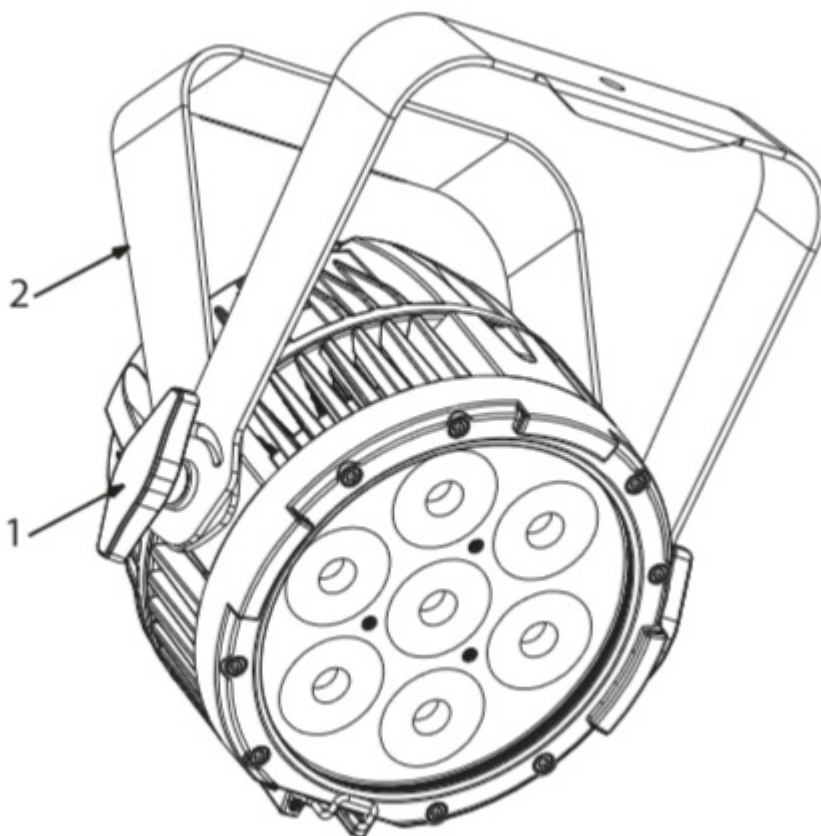
6. INSTALACIÓN

Montaje

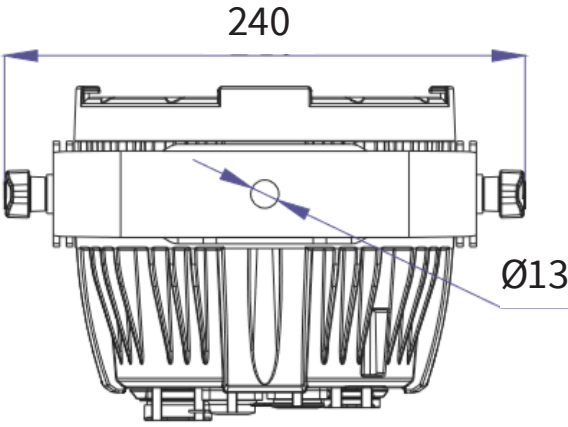
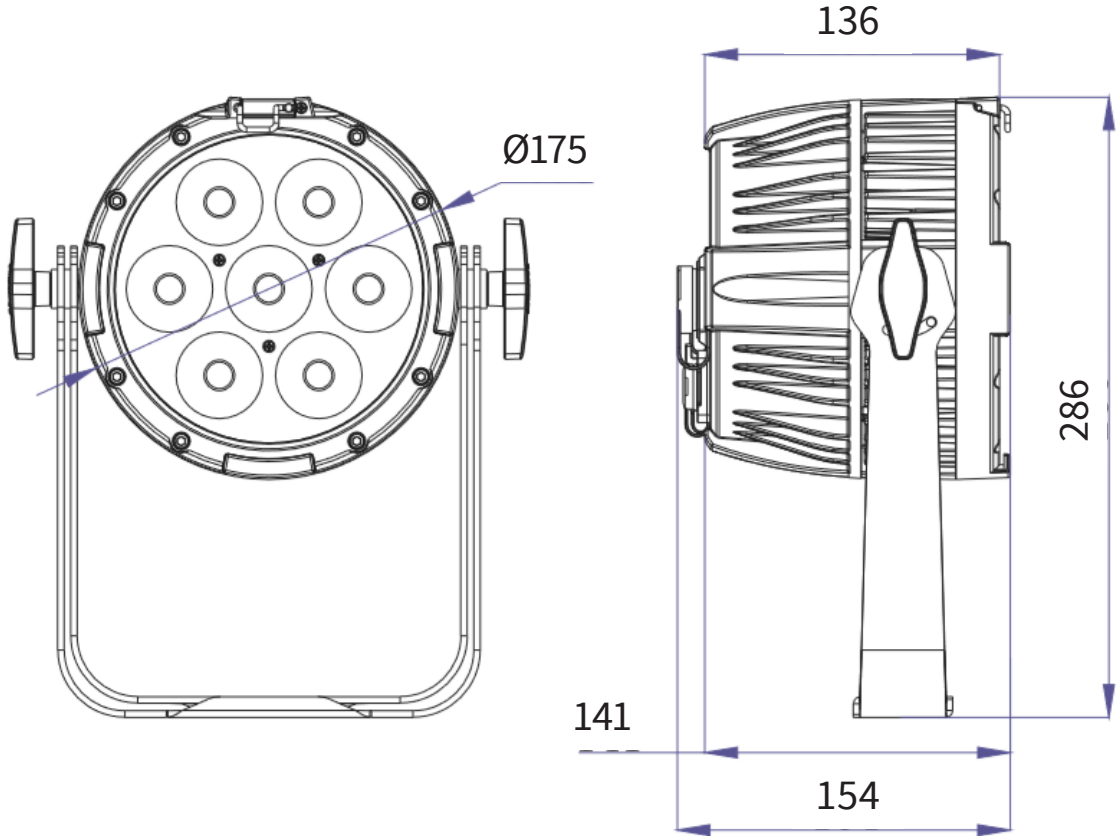
PROTON IP 7 QA se puede instalar sobre una superficie plana y también de forma colgante. Para la instalación es necesario contar con sujetadores de montaje. Verifique que el punto de instalación cuente con la estabilidad necesaria y que pueda tolerar 10 veces el peso del equipo.

Asegúrese de cumplir con todas las regulaciones locales (especialmente aquellas referidas a la seguridad) al momento de realizar el montaje.

- Instale el proyector en un lugar apropiado mediante la abrazadera de montaje (2).
- Siempre utilice un cable de seguridad para afirmar la parte inferior de la unidad al punto de sujeción y evitar que el equipo sufra una caída de más de 20 cm.
- Asegure el proyector y utilice la perilla de fijación para ajustar o desajustar el sistema de cierre de la abrazadera en caso de que sea necesario (1).



Dimensiones



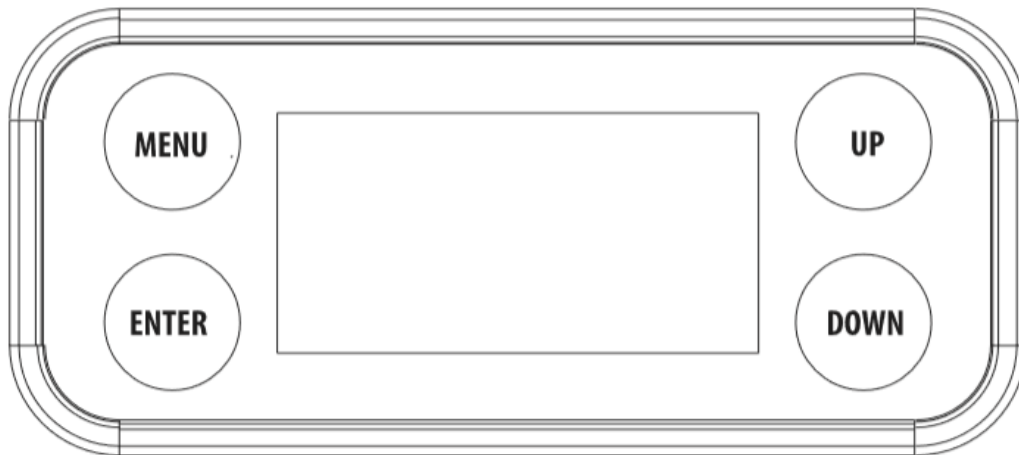
7. FUNCIONES Y AJUSTES

Instrucciones

Una vez conectado el cable de alimentación incluido (100-240 V CA, 50/60 Hz), el equipo estará listo para operar. El usuario podrá utilizarlo mediante un controlador DMX o bien podrá ejecutar los programas de forma independiente. Para apagar el equipo, desconéctelo del suministro eléctrico. Se recomienda conectar el equipo a una red con interruptor para agilizar el encendido y apagado.

Panel de control

Acceda a las funciones del panel de control a través de las cuatro teclas ubicadas debajo de la pantalla OLED.



Menú	Up	Down	Enter
Selecciona la función deseada o regresa al menú anterior.	Se desplaza hacia arriba o aumenta el valor de la selección.	Se desplaza hacia abajo o disminuye el valor de la selección.	Selecciona y almacena la función deseada o confirma el valor elegido.

Menú de funciones

DMX Address	<001>		Dirección DMX: 001	
DMX Channel	4Ch		Modo de canal DMX: 11Ch	
	6Ch			
	11Ch			
Static	Fixed Color	R	RA	Color estático: RGBA
		G	GA	
		B	BA	
		W	RGA	
		GB	RBA	
		RB	GBA	
		RG	RGBA	
		RGB		
	Color Temperature	3000K		Temperatura de color: 3000K
		4000K		
		5000K		
		6000K		
		7000K		
8000K				
9000K				
Manual Color Mixer	Red	<0-255>	Mezcla de color manual: RGBW=255	
	Green	<0-255>		
	Blue	<0-255>		
	Amber	<0-255>		
Auto Show	Auto 1	<1-100>		Programas automáticos: Auto 1, Velocidad=100
	Auto 2	<1-100>		
	Auto 3	<1-100>		
	Auto 4	<1-100>		
	Auto 5	<1-100>		
Master/Slave	Master		Modo maestro/esclavo: Slave (esclavo)	
	Slave			
Dimmer Mode	Off		Dimmer: Off (apagado)	
	Dimmer 1			
	Dimmer 2			
	Dimmer 3			

White Balance	Off			Balance de blancos: Off (apagado)
	Manual	Red	<125-255>	
		Green	<125-255>	
		Blue	<125-255>	
		Amber	<125-255>	
LED Frequency	600Hz			Frecuencia LED: 1200 Hz
	1200Hz			
	2000Hz			
	4000Hz			
	6000Hz			
	25kHz			

Estructura del menú (cont.)

Wireless Setting	Receive On/Off	On	Config. inalámbrica: Off (apagada)
		Off	
	Receive Reset	No	Restablecer recepción: No
		Yes	
Back Light	On		
	10S		
	20S		
	30S		
Key Lock	On	Password: Up Down Up Down Enter	Bloqueo de teclas: On (encendido)
	Off		
Information	Fixture Hours	<9999H>	Horas de funcionamiento y versión de software
	Version	<V1.0>	
Reset Factory	No		
	Yes		

CONFIGURACIÓN INALÁMBRICA DMX

Proton IP 7 QA cuenta con un receptor W-DMX incorporado que, por defecto, esta función está apagada. Para activarla, siga estos pasos:

- Presione la tecla MENU hasta visualizar Wireless Setting.
- Oprima ENTER para acceder.
- Utilice las teclas UP o DOWN hasta visualizar Receive On.
- Confirme la selección con la tecla ENTER.
- Para restablecer el receptor inalámbrico, seleccione Receive Reset y luego presione ENTER.

PROGRAMAS AUTOMÁTICOS

En caso de no haber señal DMX, utilice uno de los cinco programas incorporados (siempre que el modo blackout esté desactivado).

- Presione la tecla MENU hasta visualizar Auto Show.
- Oprima ENTER para acceder.
- Utilice las teclas UP o DOWN para seleccionar el programa (Auto 1-5).

- Confirme la selección con la tecla ENTER.
- Utilice las teclas UP o DOWN para seleccionar la velocidad del programa (1-100 de lenta a rápida).
- Confirme la selección con la tecla ENTER.

Observación: Los programas automáticos (auto 1-5) están preprogramados y no es posible modificar sus parámetros. Utilice la función de colores manuales para combinar los colores rojo, verde, azul y amarillo.

- Presione la tecla MENU hasta visualizar Static.
- Oprima ENTER para acceder.
- Utilice las teclas UP o DOWN hasta visualizar Manual Color.
- Oprima ENTER para acceder.
- Utilice las teclas UP o DOWN para seleccionar red, green, blue o amber.
- Confirme la selección con la tecla ENTER.
- Utilice las teclas UP o DOWN para seleccionar el valor del color deseado (000-255).
- Presione la tecla MENU para volver al menú anterior o para salir.

COLOR ESTÁTICO

Regule de forma personalizada los colores estáticos. Accede a esta opción desde el panel de control ubicado en la parte trasera del equipo.

- Presione la tecla MENU hasta visualizar Static.
- Oprima ENTER para acceder.
- Utilice las teclas UP o DOWN hasta visualizar Fixture Color.
- Oprima ENTER para acceder.
- Utilice las teclas UP o DOWN para seleccionar entre R, G, B, W, GB, RB, RG, RGB, RA, GA, BA, RGA, RBA, GBA, RGBA.
- Confirme la selección con la tecla ENTER.
- Presione la tecla MENU para volver al menú anterior o espere unos segundos para salir.

MODO MAESTRO/ESCLAVO

Con este modo podrá enlazar varios equipos en serie sin necesidad de un controlador. La primera unidad funcionará como equipo maestro y el resto,

como esclavos.

- Presione la tecla MENU hasta visualizar Master/Slave.
- Oprima ENTER para acceder.
- Utilice las teclas UP o DOWN para configurar el equipo como maestro (master) o esclavo (slave).
- Seleccione el programa deseado (ver sección Programas automáticos).
- Utilice un cable DMX para enlazar los equipos entre sí, a través del conector DMX ubicado en la parte trasera de las unidades. Cuando el cable DMX debe recorrer largas distancias se recomienda el uso de un terminador en la última unidad de la cadena.

ENLACE DE UNIDADES

Siga los siguientes pasos para enlazar unidades entre sí:

1. Conecte un extremo de un cable XLR-5 a la salida DMX del equipo maestro y el otro extremo a la entrada DMX del primer equipo esclavo.
2. Conecte la salida DMX del primer equipo esclavo a la entrada DMX del segundo equipo esclavo. Repetir este paso hasta tener todas las unidades enlazadas.

MODO DMX

Proton IP 7 QA cuenta con diversas opciones para la configuración DMX.

- Presione la tecla MENU hasta visualizar DMX channel.
- Oprima ENTER para acceder.
- Utilice las teclas UP o DOWN para activar la configuración DMX deseada (4CH, 6CH u 11CH).
- Confirme la selección con la tecla ENTER.

Nota: Los cuadros DMX muestran los modos de funcionamiento y los valores DMX. Proton IP 7 QA viene equipado con conectores XLR de cinco pines.

DIRECCIÓN DMX

Utilice esta opción para seleccionar la dirección de inicio de Proton IP 7 QA.

- Presione la tecla MENU hasta visualizar DMX

address.

- Oprima ENTER para acceder.
- Utilice las teclas UP o DOWN para seleccionar la dirección de inicio deseada (001-509).
- Confirme la selección con la tecla ENTER.
- Presione la tecla MENU para volver al menú anterior o para salir.

Para utilizar PROTON IP 7 QA con un controlador, primero debe configurar la dirección DMX de inicio

del primer canal DMX. Por ejemplo, si la dirección 33 del controlador se emplea para manejar el funcionamiento del primer canal DMX, configure la dirección de inicio 33 en el PROTON IP 7 QA. El resto de las funciones del panel de efectos se asignará automáticamente a las direcciones subsiguientes. A continuación, un cuadro que ilustra el ejemplo de la dirección de inicio 33.

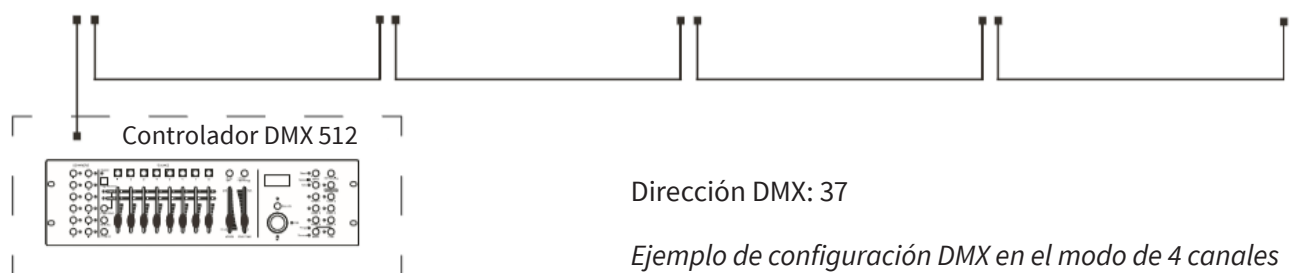
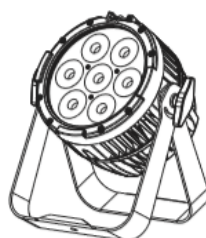
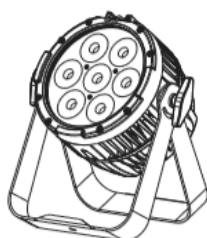
Nº de canales DMX	Dirección de inicio (ejemplo)	Dirección DMX asignada	Próxima dirección de inicio posible (u. 1)	Próxima dirección de inicio posible (u. 2)	Próxima dirección de inicio posible (u. 3)
4	33	33-36	37	41	45
6	33	33-38	39	45	51
11	33	33-43	44	55	66

Dirección DMX: 33

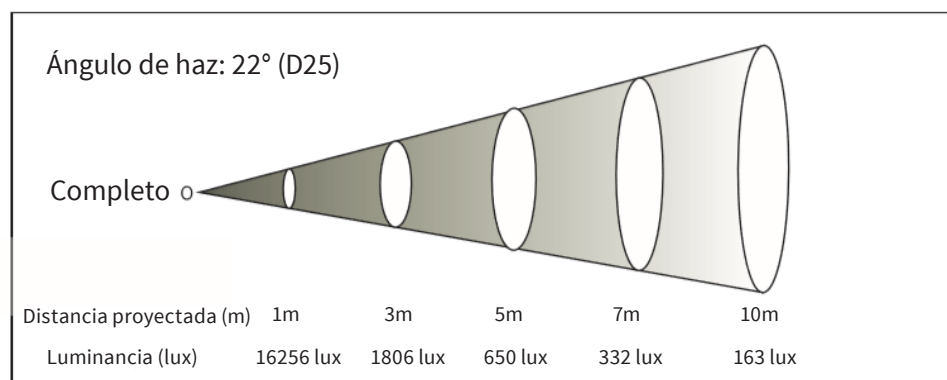
Dirección DMX: 37

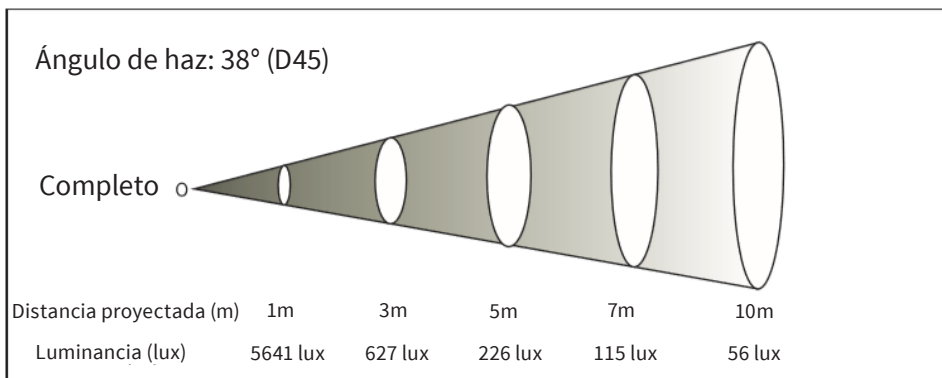
Dirección DMX: 41

Dirección DMX: 45



Información fotométrica





Conexión DMX

La conexión DMX requiere conectores XLR estándar. Utilice cables tipo par trenzado apantallados con impedancia de 120Ω y baja capacidad. El siguiente diagrama ilustra el modo de conexión:

Entrada DMX
XLR macho



Pin 1: Tierra
Pin 2: Negativo
Pin 3: Positivo
Pin 4: Sin función
Pin 5: Sin función

Salida DMX
XLR hembra



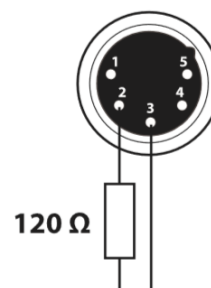
OBSERVACIÓN

La malla protectora del cable no debe estar en contacto con la instalación a tierra, ya que puede generar desperfectos en la unidad y su funcionamiento. En largas extensiones de cables, puede ser necesaria la colocación de un amplificador de nivel DMX. No se recomienda el uso de un cable de micrófono equilibrado, ya que no transmite datos de control DMX de manera fiable.

- Conecte la entrada DMX del controlador a la salida DMX de la primera unidad.
- Conecte la salida DMX a la entrada DMX de la siguiente unidad. Repetir este paso hasta conectar todas las unidades deseadas.
- Cuando el cable DMX debe recorrer largas distancias se recomienda el uso de un terminador en la última unidad de la cadena.

Terminador DMX

El uso de un terminador ayudará a prevenir la posible pérdida de señal DMX 512 sobre el final de una cadena de equipos. Bajo ciertas circunstancias y con determinadas extensiones de cables, se podría cancelar la señal original. El terminador es básicamente un conector XLR con una resistencia de $120\ \Omega$ $\frac{1}{4}\ W$ entre los pines 2 y 3 del conector macho, como indica la imagen a continuación.



Cuadro de canales DMX

11 canales	Función	Valor DMX
1	Dimmer 0~100%	000-255
2	Rojo 0~100%	000-255
3	Verde 0~100%	000-255
4	Azul 0~100%	000-255
5	Ambar 0~100%	000-255
6	Estrobo	
	Sin función Velocidad creciente	000-010 011-255
7	Macro de color + Balance de blancos	
	Sin función	000-010
	R:100% / G:0~100% / B:0	011-030
	R:100%~0 / G:100% / B:0	031-050
	R:0 / G:100% / B:0~100%	051-070
	R:0 / G:100%~0 / B:100%	071-090
	R:0~100% / G:0 / B:100%	091-110
	R:100% / G:0 / B:100%~0	111-130
	R:100% / G:0~100% / B:0~100%	131-150
	R: 100%~0 / G:100%~0 / B:100%	151-170
	R: 100% / G:100% / B:100% / A:100%	171-200
	Color 1	201-205
	Color 2	206-210
	Color 3	211-215
	Color 4	216-220
Color 5	221-225	
Color 6	226-230	
Color 7	231-235	
Color 8	236-240	
Color 9	241-245	

	Color 10 Color 11	246-250 251-255
8	Temperatura de color Sin función 3000K 4000K 5000K 6000K 7000K 8000K 9000K 10000K Sin función	000-005 006-039 040-069 070-099 100-129 130-159 160-189 190-219 220-250 251-255
9	Programas automáticos Sin función Programa automático 1 Programa automático 2 Programa automático 3 Programa automático 4 Programa automático 5	000-010 011-060 061-110 111-160 161-210 211-255
10	Velocidad automática Velocidad creciente	000-255
11	Velocidad de dimmer Velocidad preestablecida desde la pantalla Velocidad de dimmer: apagada Velocidad de dimmer modo 1 (rápida) Velocidad de dimmer modo 2 (media) Velocidad de dimmer modo 3 (lenta)	000-051 052-101 102-152 153-203 204-255

6 canales	Función	Valor DMX
1	Dimmer 0~100%	000-255
2	Rojo 0~100%	000-255
3	Verde 0~100%	000-255
4	Azul 0~100%	000-255
5	Ambar 0~100%	000-255
6	Estrobo Sin función Velocidad creciente	000-010 011-255

4 canales	Función	Valor DMX
1	Rojo 0~100%	000-255
2	Verde 0~100%	000-255
3	Azul 0~100%	000-255
4	Ambar 0~100%	000-255

Configuración del equipo

El usuario puede modificar los valores de los parámetros de la siguiente manera:

DIMMER

- Presione la tecla MENU hasta visualizar Dimmer Mode.
- Oprima ENTER para acceder.
- Utilice las teclas UP o DOWN para seleccionar curva del dimmer entre OFF, Dimmer1, Dimmer2 y Dimmer3.
- Confirme la selección con la tecla ENTER y presione MENU para regresar al menú principal.

LUZ DE FONDO

- Presione la tecla MENU hasta visualizar Back Light.
- Oprima ENTER para acceder.
- Utilice las teclas UP o DOWN para seleccionar entre On, 10s, 20s y 30s.
- Confirme la selección con la tecla ENTER y presione MENU para regresar al menú principal.

FRECUENCIA DE LED

- Presione la tecla MENU hasta visualizar LED Frequency.
- Oprima ENTER para acceder.
- Utilice las teclas UP o DOWN para seleccionar entre 600 Hz-25 kHz.
- Confirme la selección con la tecla ENTER y presione MENU para regresar al menú principal.

Información del equipo

Horas de funcionamiento

- Presione la tecla MENU hasta visualizar Information.

- Oprima ENTER para acceder.
- Utilice las teclas UP o DOWN para seleccionar entre Fixture Hours.

Confirme la selección con la tecla ENTER.

La pantalla indicará el total de horas de funcionamiento del Proton IP 7 QA.

VERSIÓN

- Presione la tecla MENU hasta visualizar Information.
- Oprima ENTER para acceder.
- Utilice las teclas UP o DOWN para seleccionar entre Version.
- Confirme la selección con la tecla ENTER.

La pantalla indicará la versión del software instalada en el equipo.

TEMPERATURA

- Presione la tecla MENU hasta visualizar Temperature.
- Oprima ENTER para confirmar la selección.
- Presione la tecla MENU para regresar al menú principal o espere unos segundos para salir.

La pantalla indicará la temperatura interna del equipo.

Balance de ambar

Regule los niveles de rojo, verde, azul para obtener diferentes tipos de color blanco.

- Presione la tecla MENU hasta visualizar White Balance.
- Oprima ENTER para acceder.
- Utilice las teclas UP o DOWN para seleccionar entre R, G, B y A.
- Oprima ENTER para acceder.
- Utilice las teclas UP o DOWN para establecer el valor deseado entre 125-255.

- Oprima ENTER para continuar con el siguiente color y hasta obtener la mezcla deseada.
- Presione la tecla MENU para volver al menú anterior o para salir.

Observación: La información de este manual está sujeta a cambios sin previo aviso.



neo.amproweb.com



facebook.com/amprogroup



youtube.com/amprogroup